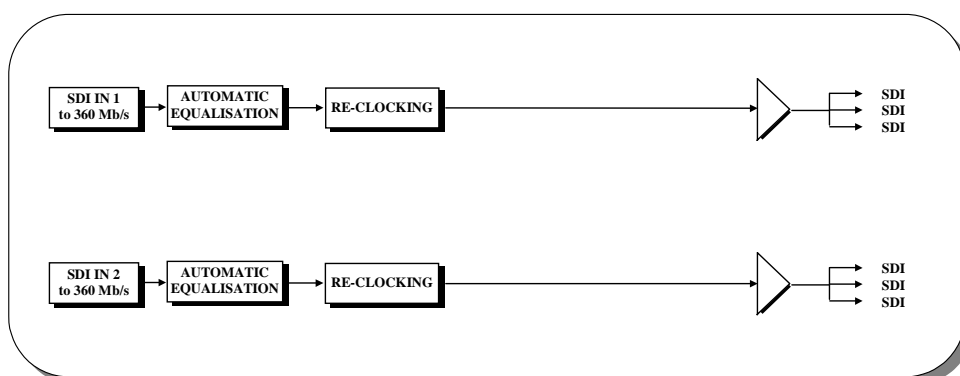


5DV2402 SDI dual channel DA

Introduction

The 5DV2402 SDI dual channel DA is one of the modules in the 2600 range providing interfaces for audio and video equipment in a 1U or 2U frame format with each module independently powered. Designed to the highest specifications and meeting all relevant international standards, modules can be used individually or mixed with others in the range to increase the functionality.

Up to 9 modules can be housed in the 5AV2645 2U rack-mounting frame, up to 4 in the 5AV2641 1U frame and up to 2 in the 5AV2642 portable case (& 5AV2642X portable case with XLRs).

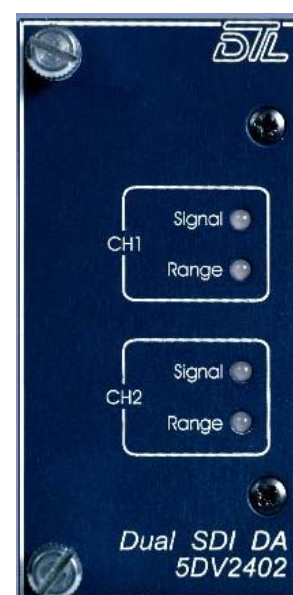


Description

The 5DV2402 module is an extremely compact SDI dual channel DA. Each channel accepts up to 360Mb/s SDI & provides three re-clocked SDI outputs. There is automatic cable equalisation for over 300m of cable. Front panel LEDs indicate input signal presence & end of equalisation warning. The associated 5DV2492 rear connector unit provides all input and output connections.

Features

- Dual channel DA that accepts up to 360Mb/s SDI and provides three re-clocked SDI outputs for each channel.
- Over 250m automatic cable equalisation at 270Mb/s.
- Front panel LEDs indicate input signal presence & end of equalisation warning for each channel.
- Requires the 5DV2492 rear connector unit
- All 2600 modules are independently mains powered maximising reliability & isolation between modules



5DV2402 SDI dual channel DA

Specification

Inputs

Number	1 x 75Ω BNC per channel
Standard	SMPTE 259M 143, 177, 270 & 360Mb/s
Signal level	800mV ±10%
Common mode rejection	30Vp-p at 50Hz
Return loss	>22 dB
Equalisation	Automatic to over 250m Belden 8281 at 270Mb/s

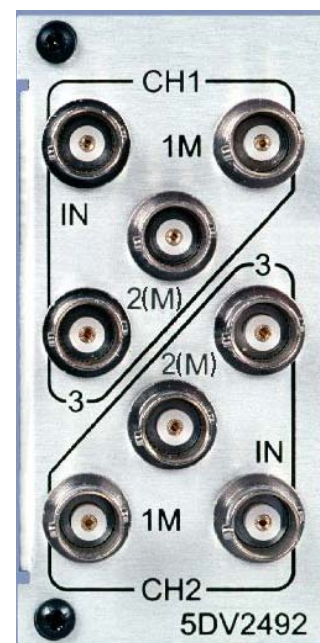
Outputs

Number	3 x 75Ω BNC per channel
Standard	SMPTE 259M 143, 177, 270 & 360Mb/s
Signal level	800mV ±10%
Return loss	>18dB to clock frequency
DC offset	0V ±0.5V
Rise & fall time	400-700pS (20-80% amplitude)
Overshoot	<10%

Other

Power Consumption	Approx 3W
Temperature range	0°C to 45°C

Measurements relate to the 5DV2402 DA with the 5DV2492 connector unit in a 5AV2645 frame operating with 270Mb/s input.



Ordering information

Part no.	Description	Weight	Height	Width	Depth
5DV2402	SDI dual channel DA	590g	88mm	44mm	300mm
5DV2492	SDI dual channel rear connector	210g	88mm	44mm	120mm
5D2000	Extender board	45g	54mm	16mm	115mm

We reserve the right to change technical specifications without prior notice. E&OE.

DTL Broadcast Ltd, Johnson's Estate, Silverdale Road, Hayes, Middlesex, UB3 3BA, UK.

Phone: +44 (0) 20 8813 5200 Fax: +44 (0) 20 8813 5022 Internet: www.dtl-broadcast.com Email: info@dtl-broadcast.com