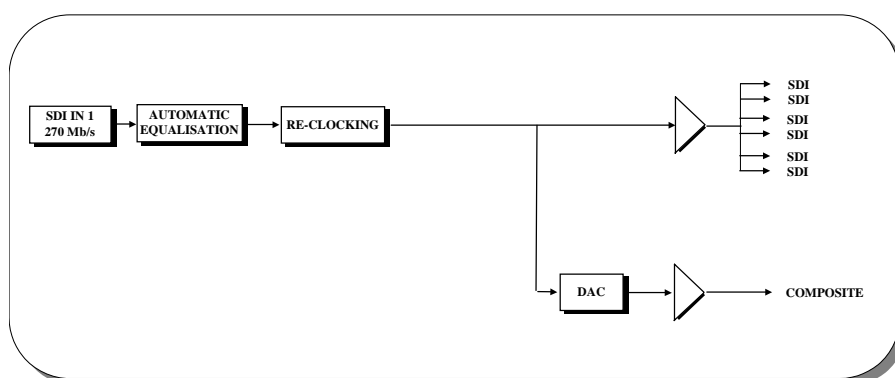


5DV2411 SDI monitoring DA

Introduction

The 5DV2411 SDI monitoring DA is one of the modules in the 2600 range providing interfaces for audio and video equipment in a 1U or 2U frame format with each module independently powered. Designed to the highest specifications and meeting all relevant international standards, modules can be used individually or mixed with others in the range to increase the functionality.

Up to 9 modules can be housed in the 5AV2645 2U rack-mounting frame, up to 4 in the 5AV2641 1U frame and up to 2 in the 5AV2642 portable case (& 5AV2642X portable case with XLRs).

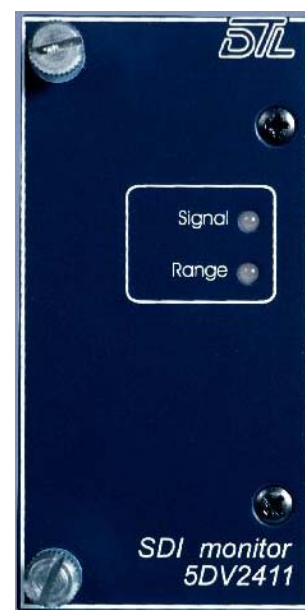


Description

The 5DV2411 module is an extremely compact SDI monitoring DA. It accepts 270Mb/s SDI & provides a composite PAL or NTSC output together with six re-clocked SDI outputs (or by moving a link two composite outputs and five re-clocked SDI outputs). There is automatic cable equalisation for over 300m of cable. Front panel LEDs indicate input signal presence & end of equalisation warning. The associated 5DV2491 rear connector unit provides all input and output connections.

Features

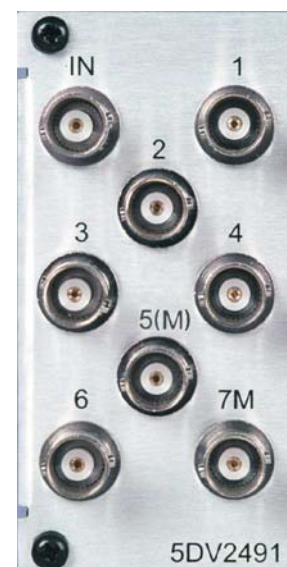
- SDI monitoring DA that accepts 270Mb/s SDI and provides a composite output and six re-clocked SDI outputs (or by moving a link two composite outputs and five re-clocked SDI outputs).
- Over 250m automatic cable equalisation at 270Mb/s.
- Front panel LEDs indicate input signal presence & end of equalisation warning.
- PAL analogue output (NTSC can be selected internally).
- Requires the 5DV2491 rear connector unit
- All 2600 modules are independently mains powered maximising reliability & isolation between modules



5DV2411 SDI monitoring DA

Specification

Inputs	
Number	1 x 75Ω BNC
Standard	SMPTE 259M 270Mb/s 525 or 625
Signal level	800mV ±10%
Common mode rejection	30Vp-p at 50Hz
Return loss	>22 dB
Equalisation	Automatic to over 250m Belden 8281 at 270Mb/s
Output - SDI	
Number	6 re-clocked x 75Ω BNC
Standard	SMPTE 259M 270Mb/s 525 or 625
Signal level	800mV ±10%
Return loss	>18dB to clock frequency
DC offset	0V ±0.5V
Rise & fall time	400-700pS (20-80% amplitude)
Overshoot	<10%
Output - Analogue	
Number	1 (or 2) 75Ω BNC output 7 (&5)
Standards	Composite PAL (default) or NTSC
Return loss	36dB to 5MHz
Signal level	1Vp-p ±10%
DC offset	<100mV
Differential gain	<0.3%
Differential phase	<0.4°
Delay	<10nS
Other	
Power Consumption	Approx 5W
Temperature range	0°C to 45°C
<i>Measurements relate to the 5DV2411 DA with the 5DV2491 connector unit in a 5AV2645 frame.</i>	



Ordering information

Part no.	Description	Weight	Height	Width	Depth
5DV2411	SDI monitoring DA	600g	88mm	44mm	300mm
5DV2491	SDI rear connector	210g	88mm	44mm	120mm
5D2000	Extender board	45g	54mm	16mm	115mm

We reserve the right to change technical specifications without prior notice. E&OE.

DTL Broadcast Ltd, Johnson's Estate, Silverdale Road, Hayes, Middlesex, UB3 3BA, UK.

Phone: +44 (0) 20 8813 5200 Fax: +44 (0) 20 8813 5022 Internet: www.dtl-broadcast.com Email: info@dtl-broadcast.com