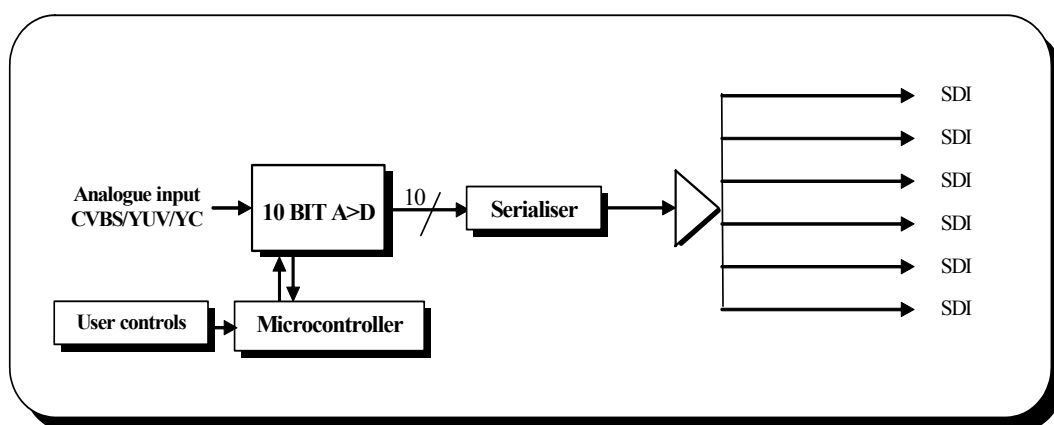


D&A 3432 SDI universal 10-bit ADC

Introduction

The D&A 3432 universal analogue to digital video converter is one of the modules in the expanding D&A distribution system. Designed to the highest specification, and meeting all relevant international standards including CE approval, digital and analogue audio and video modules can be mixed within a frame to satisfy a wide variety of interfacing requirements.

Up to 14 modules can be housed in the 3301 3U frame with a single power supply or 12 in the 3302 3U frame with dual power supplies.

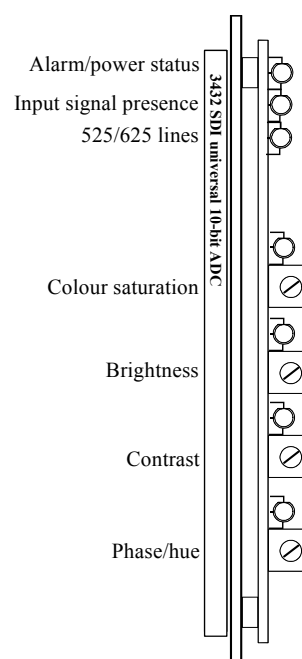


Description

The 3432 is a broadcast quality universal analogue to SDI converter. The unit accepts composite, component or YC analogue inputs. It automatically selects between PAL, NTSC & SECAM composite sources. The module employs dual high-speed over sampling 10-bit A/D converters with 4/3 line adaptive comb filtering. Dipswitches on the card select between component, YC & composite inputs. Card edge fine adjustment is provided for control of the colour saturation, brightness, contrast and phase/hue of the processed signal. Card edge LED's show alarm/power status, 525/625 line, fine adjust control enable and the presence of input signal.

Features

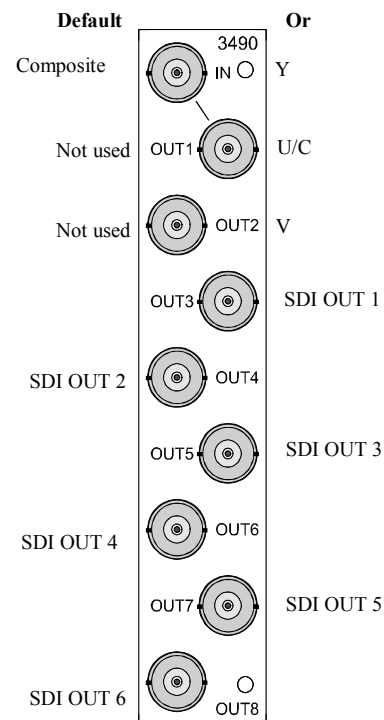
- Dual high-speed over sampling 10-bit A/D converters
- Several user configurable filter options including 4/3 line adaptive comb filtering
- Accepts NTSC (M, Japan, 4.43), PAL (B, D, G, H, I, M, N, Nc) and SECAM (B, D, G, K, K1, L) composite video, S-video and YUV (component) inputs
- Auto detection of composite input format
- Handles various video input qualities
- Automatic gain control
- Six 270Mb/s 525/625 SDI outputs
- Input signal absence warning
- User configurable frame LED/external alarm error warning
- User configurable alarms can be triggered (card alarm LED, frame LED and external alarm) for loss of power and absence of input signal



D&A 3432 SDI universal ADC

Specification

Analogue input	
Standards	Composite, YC & YUV component 525 or 625
Composite	NTSC (M, Japan, 4.43), PAL (B, D, G, H, I, M, N, Nc) and SECAM (B, D, G, K, K1, L)
Number	3
Impedance	75Ω
Signal level	1V p-p +100% -50%
Connector	BNC
Return loss	>36dB to 5.5MHz
Performance	
Differential gain	<0.4%
Differential phase	<1.5°
Delay	<10ns
Quantization	10-bit
SDI outputs	
Impedance	75Ω
Number	6
Connector	BNC
Standard	SMPTE 259M 270Mb/s 525 or 625
Signal level	800mV ±10%
Return loss	>18dB to clock frequency
DC offset	0V ±0.5V
Rise & fall time	400-700pS (20-80% amplitude)
Overshoot	<10%
Other	
User selectable alarm options	Loss of power and loss of input signal
Power supply required	Frames with 3310 6.5V power supplies only
Power Consumption	+3.9W -0.3W
Temperature range	0°C to 45°C
<i>Above measurements relate to the 3432 ADC with 3490 connector in the 3301 frame using the 3310 power supply.</i>	



3490 video

Ordering information

Part no.	Description	Weight	Height	Width	Depth
3432	SDI universal 10-bit ADC	750g	100mm	25mm	220mm
3490	BNC rear	100g	100mm	25mm	70mm

We reserve the right to change technical specifications without prior notice. E&OE.

DTL Broadcast Ltd, Johnson's Estate, Silverdale Road, Hayes, Middlesex, UB3 3BA, UK.

Phone: +44 (0) 20 8813 5200 Fax: +44 (0) 20 8813 5022 Internet: www.dtl-broadcast.com Email: sales@dtl-broadcast.com